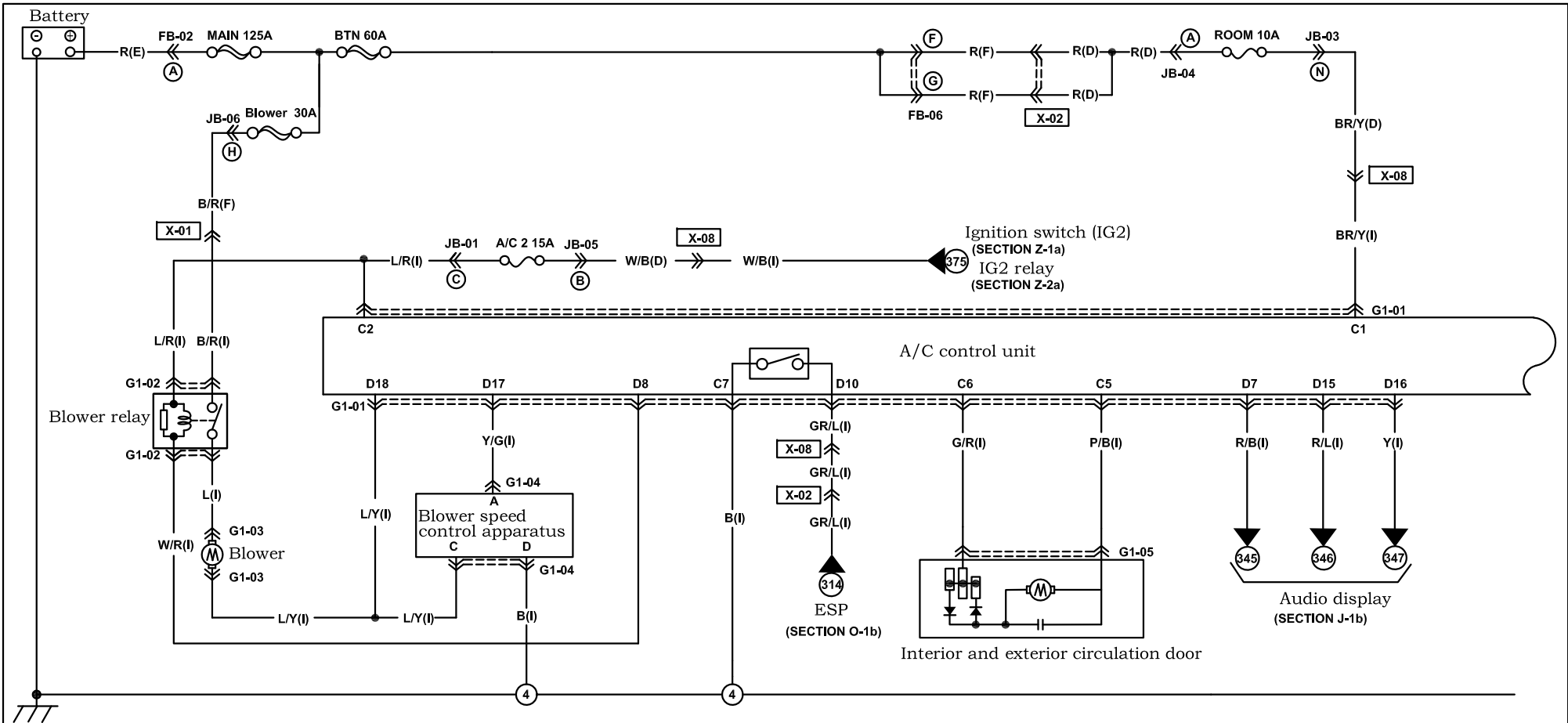


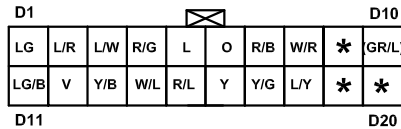
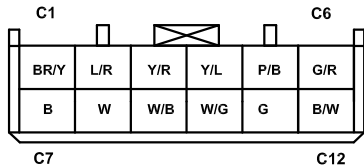
# Air conditioning system

# G-1a

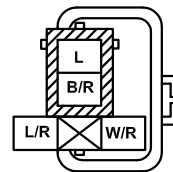


G1-01 A/C control unit (I)

( ) with ESP



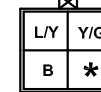
G1-02 Blower relay (I)



G1-03 Blower (I)



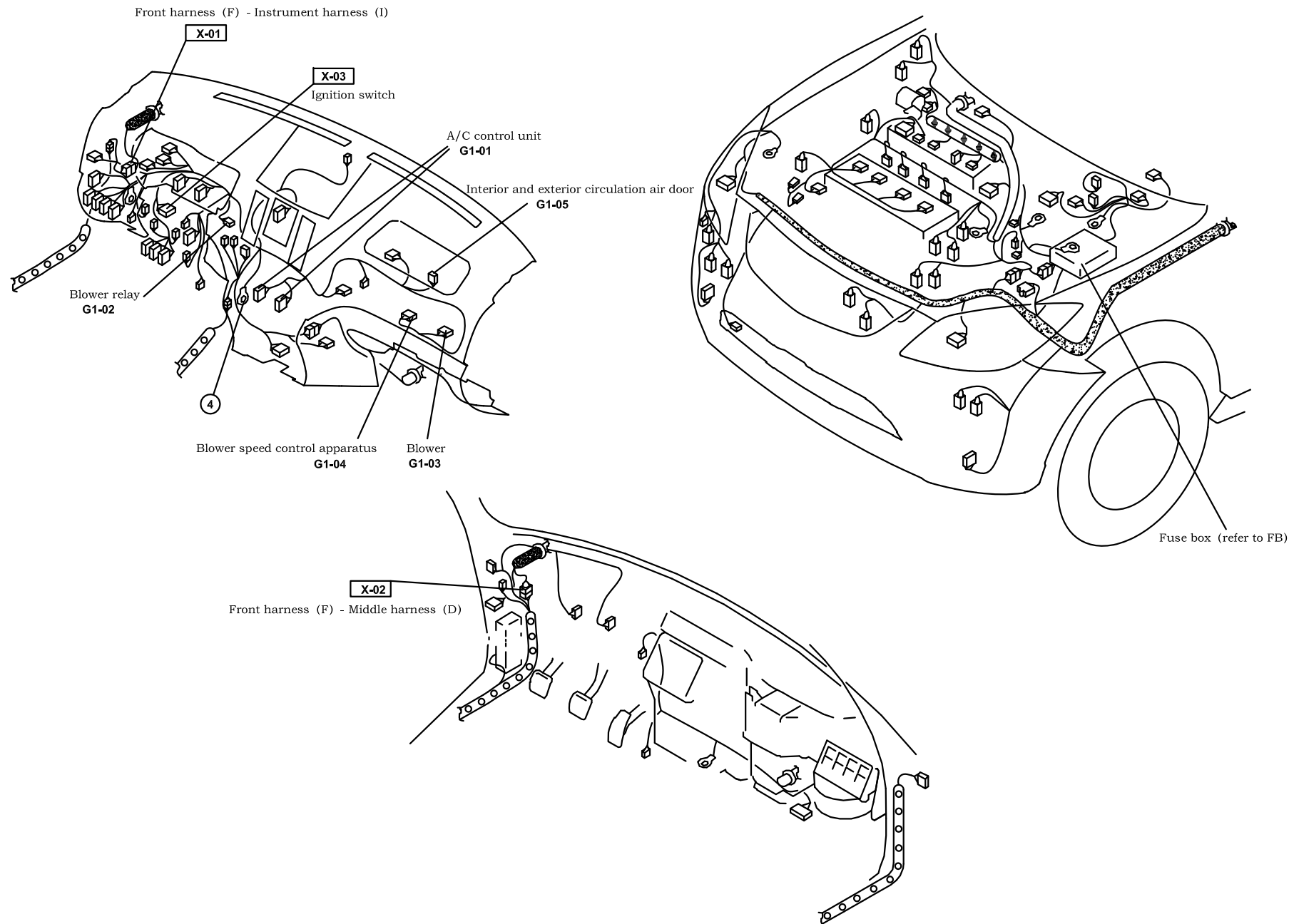
G1-04 Blower speed control apparatus(I)

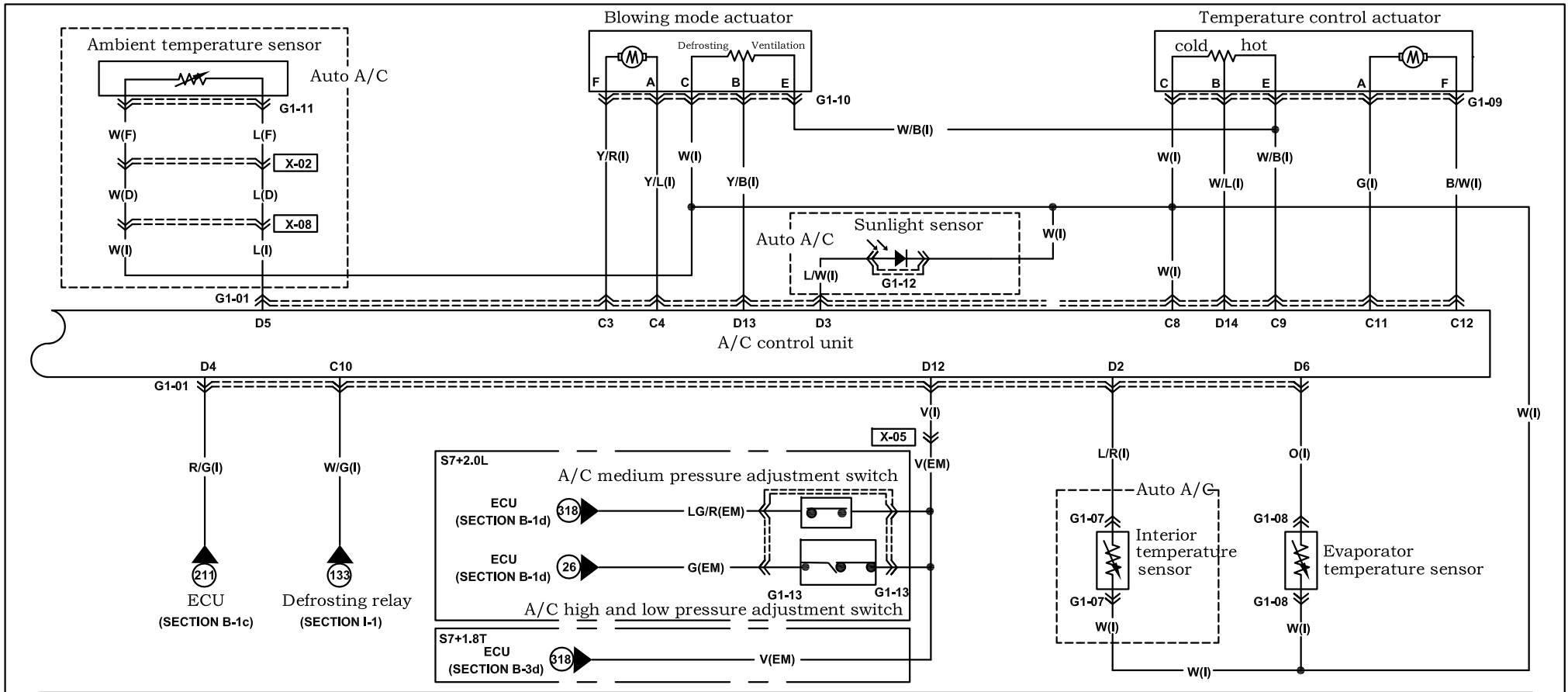


G1-05 Interior and exterior circulation door (I)



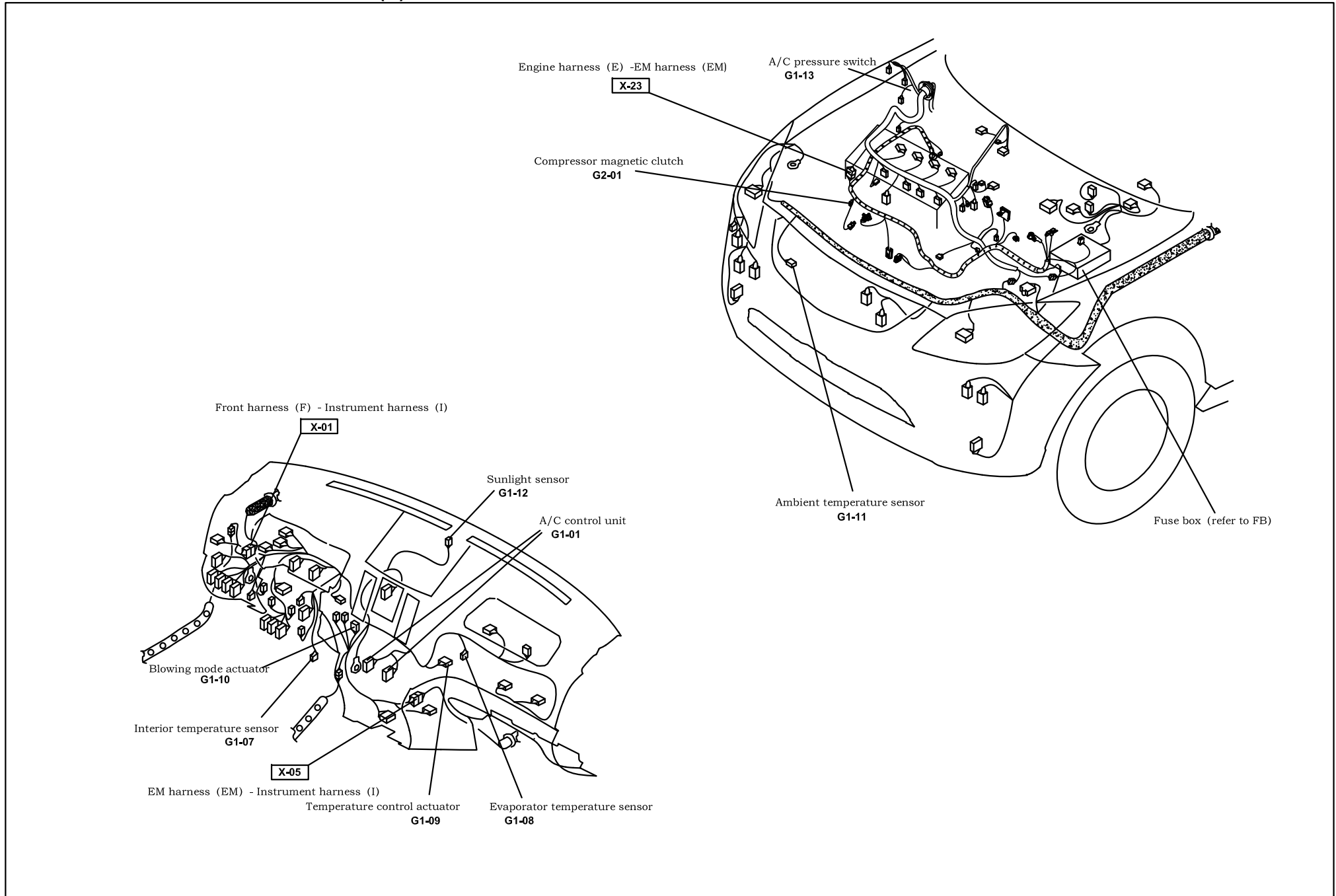
Harness mark:  (F)  (E)  (D)  (R)

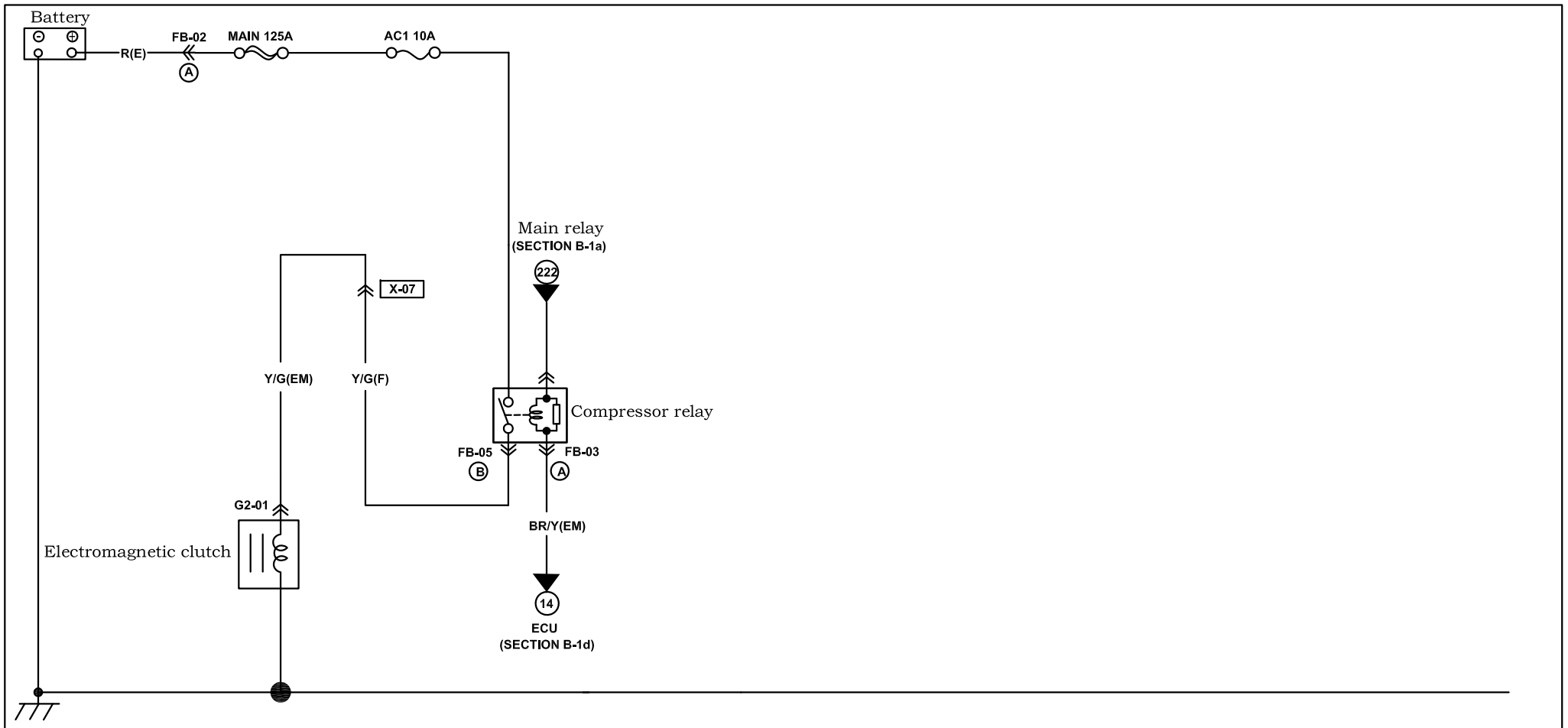









|  |  |   |  |     |     |     |      |     |      |     |     |     |   |   |     |     |   |     |    |  |  |     |  |  |    |  |  |     |  |  |    |     |     |     |   |   |     |     |   |      |      |   |     |     |     |   |     |     |   |   |     |  |  |     |  |  |   |   |   |     |     |   |   |     |   |   |  |  |   |  |  |   |   |   |   |     |     |     |     |   |   |   |
|--|--|---|--|-----|-----|-----|------|-----|------|-----|-----|-----|---|---|-----|-----|---|-----|----|--|--|-----|--|--|----|--|--|-----|--|--|----|-----|-----|-----|---|---|-----|-----|---|------|------|---|-----|-----|-----|---|-----|-----|---|---|-----|--|--|-----|--|--|---|---|---|-----|-----|---|---|-----|---|---|--|--|---|--|--|---|---|---|---|-----|-----|-----|-----|---|---|---|
| <p><b>G1-01</b> A/C control unit (I)</p> <p>( ) with ESP</p> <table border="1" style="width: 100%;"> <tr> <td colspan="3">C1</td> <td colspan="3">C6</td> </tr> <tr> <td>BR/Y</td> <td>L/R</td> <td>Y/R</td> <td>Y/L</td> <td>P/B</td> <td>G/R</td> </tr> <tr> <td>B</td> <td>W</td> <td>W/B</td> <td>W/G</td> <td>G</td> <td>B/W</td> </tr> <tr> <td colspan="3">C7</td> <td colspan="3">C12</td> </tr> </table> <table border="1" style="width: 100%;"> <tr> <td colspan="3">D1</td> <td colspan="3">D10</td> </tr> <tr> <td>LG</td> <td>L/R</td> <td>L/W</td> <td>R/G</td> <td>L</td> <td>O</td> <td>R/B</td> <td>W/R</td> <td>*</td> <td>GR/L</td> </tr> <tr> <td>LG/B</td> <td>V</td> <td>Y/B</td> <td>W/L</td> <td>R/L</td> <td>Y</td> <td>Y/G</td> <td>L/Y</td> <td>*</td> <td>*</td> </tr> <tr> <td colspan="3">D11</td> <td colspan="3">D20</td> </tr> </table> | C1   |   |  | C6  |     |     | BR/Y | L/R | Y/R  | Y/L | P/B | G/R | B | W | W/B | W/G | G | B/W | C7 |  |  | C12 |  |  | D1 |  |  | D10 |  |  | LG | L/R | L/W | R/G | L | O | R/B | W/R | * | GR/L | LG/B | V | Y/B | W/L | R/L | Y | Y/G | L/Y | * | * | D11 |  |  | D20 |  |  | <p><b>G1-07</b> Interior temperature sensor (I)</p> | <p><b>G1-08</b> Evaporator temperature sensor (I)</p> | <p><b>G1-09</b> Temperature control actuator (I)</p> <table border="1" style="width: 100%;"> <tr> <td>B/W</td> <td>W/B</td> <td>*</td> <td>W</td> <td>W/L</td> <td>G</td> </tr> <tr> <td colspan="3">F</td> <td colspan="3">A</td> </tr> </table> | B/W | W/B | * | W | W/L | G | F |  |  | A |  |  | <p><b>G1-10</b> Blowing mode actuator (I)</p> <table border="1" style="width: 100%;"> <tr> <td>G</td> <td>A</td> </tr> <tr> <td>W</td> <td>W/B</td> </tr> <tr> <td>Y/L</td> <td>Y/B</td> </tr> <tr> <td>Y/R</td> <td>*</td> </tr> <tr> <td>H</td> <td>B</td> </tr> </table> | G | A | W | W/B | Y/L | Y/B | Y/R | * | H | B |
| C1   |  |   | C6   |     |     |     |      |     |      |     |     |     |   |   |     |     |   |     |    |  |  |     |  |  |    |  |  |     |  |  |    |     |     |     |   |   |     |     |   |      |      |   |     |     |     |   |     |     |   |   |     |  |  |     |  |  |   |   |   |     |     |   |   |     |   |   |  |  |   |  |  |   |   |   |   |     |     |     |     |   |   |   |
| BR/Y   | L/R  | Y/R                                     | Y/L  | P/B | G/R |     |      |     |      |     |     |     |   |   |     |     |   |     |    |  |  |     |  |  |    |  |  |     |  |  |    |     |     |     |   |   |     |     |   |      |      |   |     |     |     |   |     |     |   |   |     |  |  |     |  |  |   |   |   |     |     |   |   |     |   |   |  |  |   |  |  |   |   |   |   |     |     |     |     |   |   |   |
| B  | W  | W/B                                     | W/G  | G   | B/W |     |      |     |      |     |     |     |   |   |     |     |   |     |    |  |  |     |  |  |    |  |  |     |  |  |    |     |     |     |   |   |     |     |   |      |      |   |     |     |     |   |     |     |   |   |     |  |  |     |  |  |   |   |   |     |     |   |   |     |   |   |  |  |   |  |  |   |   |   |   |     |     |     |     |   |   |   |
| C7   |  |   | C12  |     |     |     |      |     |      |     |     |     |   |   |     |     |   |     |    |  |  |     |  |  |    |  |  |     |  |  |    |     |     |     |   |   |     |     |   |      |      |   |     |     |     |   |     |     |   |   |     |  |  |     |  |  |   |   |   |     |     |   |   |     |   |   |  |  |   |  |  |   |   |   |   |     |     |     |     |   |   |   |
| D1   |  |   | D10  |     |     |     |      |     |      |     |     |     |   |   |     |     |   |     |    |  |  |     |  |  |    |  |  |     |  |  |    |     |     |     |   |   |     |     |   |      |      |   |     |     |     |   |     |     |   |   |     |  |  |     |  |  |   |   |   |     |     |   |   |     |   |   |  |  |   |  |  |   |   |   |   |     |     |     |     |   |   |   |
| LG   | L/R  | L/W                                     | R/G  | L   | O   | R/B | W/R  | *   | GR/L |     |     |     |   |   |     |     |   |     |    |  |  |     |  |  |    |  |  |     |  |  |    |     |     |     |   |   |     |     |   |      |      |   |     |     |     |   |     |     |   |   |     |  |  |     |  |  |   |   |   |     |     |   |   |     |   |   |  |  |   |  |  |   |   |   |   |     |     |     |     |   |   |   |
| LG/B   | V  | Y/B                                     | W/L  | R/L | Y   | Y/G | L/Y  | *   | *    |     |     |     |   |   |     |     |   |     |    |  |  |     |  |  |    |  |  |     |  |  |    |     |     |     |   |   |     |     |   |      |      |   |     |     |     |   |     |     |   |   |     |  |  |     |  |  |   |   |   |     |     |   |   |     |   |   |  |  |   |  |  |   |   |   |   |     |     |     |     |   |   |   |
| D11  |  |   | D20  |     |     |     |      |     |      |     |     |     |   |   |     |     |   |     |    |  |  |     |  |  |    |  |  |     |  |  |    |     |     |     |   |   |     |     |   |      |      |   |     |     |     |   |     |     |   |   |     |  |  |     |  |  |   |   |   |     |     |   |   |     |   |   |  |  |   |  |  |   |   |   |   |     |     |     |     |   |   |   |
| B/W  | W/B  | *                                       | W  | W/L | G   |     |      |     |      |     |     |     |   |   |     |     |   |     |    |  |  |     |  |  |    |  |  |     |  |  |    |     |     |     |   |   |     |     |   |      |      |   |     |     |     |   |     |     |   |   |     |  |  |     |  |  |   |   |   |     |     |   |   |     |   |   |  |  |   |  |  |   |   |   |   |     |     |     |     |   |   |   |
| F  |  |   | A  |     |     |     |      |     |      |     |     |     |   |   |     |     |   |     |    |  |  |     |  |  |    |  |  |     |  |  |    |     |     |     |   |   |     |     |   |      |      |   |     |     |     |   |     |     |   |   |     |  |  |     |  |  |   |   |   |     |     |   |   |     |   |   |  |  |   |  |  |   |   |   |   |     |     |     |     |   |   |   |
| G  | A  |   |  |     |     |     |      |     |      |     |     |     |   |   |     |     |   |     |    |  |  |     |  |  |    |  |  |     |  |  |    |     |     |     |   |   |     |     |   |      |      |   |     |     |     |   |     |     |   |   |     |  |  |     |  |  |   |   |   |     |     |   |   |     |   |   |  |  |   |  |  |   |   |   |   |     |     |     |     |   |   |   |
| W  | W/B  |   |  |     |     |     |      |     |      |     |     |     |   |   |     |     |   |     |    |  |  |     |  |  |    |  |  |     |  |  |    |     |     |     |   |   |     |     |   |      |      |   |     |     |     |   |     |     |   |   |     |  |  |     |  |  |   |   |   |     |     |   |   |     |   |   |  |  |   |  |  |   |   |   |   |     |     |     |     |   |   |   |
| Y/L  | Y/B  |   |  |     |     |     |      |     |      |     |     |     |   |   |     |     |   |     |    |  |  |     |  |  |    |  |  |     |  |  |    |     |     |     |   |   |     |     |   |      |      |   |     |     |     |   |     |     |   |   |     |  |  |     |  |  |   |   |   |     |     |   |   |     |   |   |  |  |   |  |  |   |   |   |   |     |     |     |     |   |   |   |
| Y/R  | *  |   |  |     |     |     |      |     |      |     |     |     |   |   |     |     |   |     |    |  |  |     |  |  |    |  |  |     |  |  |    |     |     |     |   |   |     |     |   |      |      |   |     |     |     |   |     |     |   |   |     |  |  |     |  |  |   |   |   |     |     |   |   |     |   |   |  |  |   |  |  |   |   |   |   |     |     |     |     |   |   |   |
| H  | B  |   |  |     |     |     |      |     |      |     |     |     |   |   |     |     |   |     |    |  |  |     |  |  |    |  |  |     |  |  |    |     |     |     |   |   |     |     |   |      |      |   |     |     |     |   |     |     |   |   |     |  |  |     |  |  |   |   |   |     |     |   |   |     |   |   |  |  |   |  |  |   |   |   |   |     |     |     |     |   |   |   |
|  | <p><b>G1-11</b> Ambient temperature sensor (F)</p> | <p><b>G1-12</b> Sunlight sensor (I)</p> | <p><b>G1-13</b> A/C pressure switch (EM)</p> |     |     |     |      |     |      |     |     |     |   |   |     |     |   |     |    |  |  |     |  |  |    |  |  |     |  |  |    |     |     |     |   |   |     |     |   |      |      |   |     |     |     |   |     |     |   |   |     |  |  |     |  |  |   |   |   |     |     |   |   |     |   |   |  |  |   |  |  |   |   |   |   |     |     |     |     |   |   |   |

Harness mark:  (F)  (E)  (D)  (R)





|  |  |  |  |  |  |  |
|--|--|--|--|--|--|--|
| <p>G2-01 Electromagnetic clutch (EM)</p>  |  |  |  |  |  |  |
|  |  |  |  |  |  |  |
|  |  |  |  |  |  |  |

Harness mark:  (F)  (E)  (D)  (R)

